

Comfort / Titan Series Blanket Warmers

Our blanket warmers quickly and efficiently warm blankets to precise temperatures using WarmSafe™ zone heating technology, which provides a safe even heat by adjusting temperature throughout the cabinet. Our fan-less technology is designed to provide quiet warmth for patients, allowing them to get the rest they need for recovery. And, with the absence of lint-clogged fans, these units are safe and easy to maintain.

The patient-friendly Comfort Series allows you to put aesthetically pleasing warming units right where they are needed. The lighting inside the warmers softens the patient's room, placing more emphasis on comfort and care.

The durable Titan Series, using 201&430 stainless steel, provides years of worry-free service.

WarmSafe Zone Heating: Heat is evenly balanced throughout the chamber to provide safe blanket warming.

Service: Our worldwide support team is dedicated to providing quality equipment. We walk with you every step of the way to maximize your return on investment:

Glass Door: Energy-efficient coated glass door reflects heat back into the cavity.

Mobile: Optional casters or mobile cart

Warranty: 5-year parts/1-year labor (US/Canada only)

Made in the USA with a commitment to quality

An ISO 13485:2016 certified company

Standard Features

- Windowed door
- Epoxy-coated interior surfaces
- Programmable control with temperature lock feature
- Interior lighting with a comforting blue glow (Comfort Series only)
- Temperature management access point
- 350 & 750 include a heated center shelf
- Four (4) non-skid rubber feet

Blanket Capacity



| | |
|----|---|
| 6 | 2.5 ft ³ (DC250/EC250) 4-6 blankets |
| 12 | 3.5 ft ³ (DC350/EC350) 10-12 blankets |
| 16 | 4.0 ft ³ (DC400/EC400) 12-16 blankets |
| 25 | 7.5 ft ³ (DC750/EC750) 20-25 blankets |

Temperature



Adjustable temperature range of
32°-71°C (90°-160°F)



Titan Series



Comfort Series



Configurations (select one of each)

Series

- Comfort (DC) Titan (EC)

Size

- 2.5 ft³ 3.5 ft³ 4.0 ft³
 7.5 ft³ 7.5 ft³ P/T (Titan Series only)

Door Assembly

- Windowed door (standard) Solid door (Titan Series only)

Door Swing

- Right hinged (standard) Left hinged

Door Lock

- No lock (standard) Manual lock

Electrical

- 120V 1PH 220V 1PH 230V 1PH

Accessories (select all that apply)

Bumper and Caster Assembly 3" (76mm) casters, 2 rigid, 2 swivel with Brake; overall height increases by 5" (127mm)

- DC250 or DC350 (5017546) EC400 or EC750 (5017549)
 DC400 or DC750 (5017547) EC750/PT (5018180)
 EC250 or EC350 (5017548)

Caster Package with Plate 3" (76mm) casters, 2 rigid, 2 swivel with Brake; overall height increases by 5" (127mm)

- DC250 or DC350 (5017542) EC400 or EC750 (5017545)
 DC400 or DC750 (5017543) EC750/PT (5018124)
 EC250 or EC350 (5017544)

Cart, Mobile for use with DC250/EC250, DC350/EC350 or DC400/EC400

- 3.5" (89mm) casters, 2 swivel; 2 swivel with brake (500206);
 36.5" (927mm) H x 26" (660mm) W x 26" (660mm) D

Anchorage (4 required)

- Anti-tip bracket (1014403)

Pediatric Label

- Pediatric Label (LA-46987)

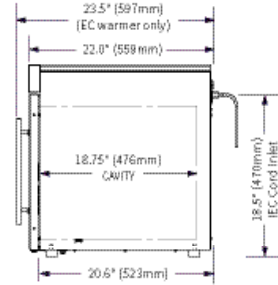
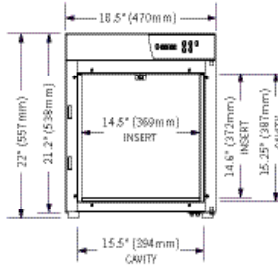
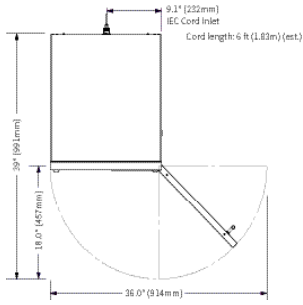
Stacking Kits

It is recommended that fluid warming units be placed at or near the bottom of the stacked configuration whenever possible for maximum stability - not available with casters

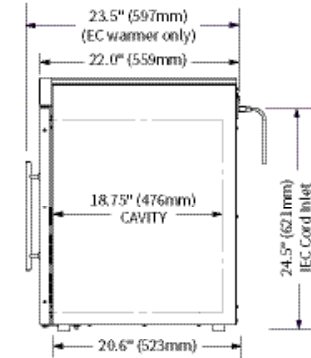
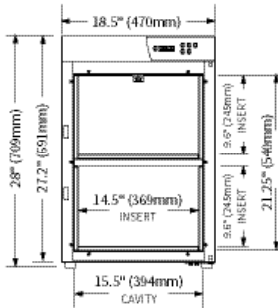
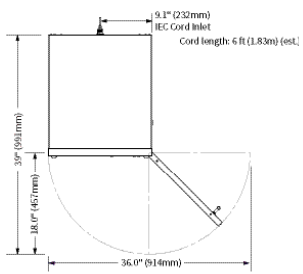
- DC250 or DC350 over DC250 or DC350 (5013021)
 DC400 or DC750 over DC400 or DC750 (5013024)
 EC250 or EC350 over EC250 or EC350 (5017272)
 EC400 or EC750 over EC400 or EC750 (5017273)

Comfort/Titan Series Blanket Warmers

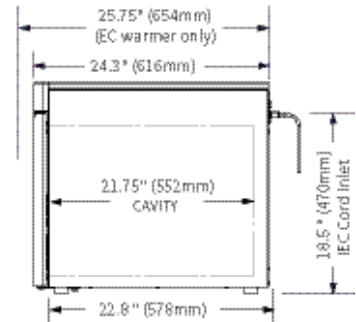
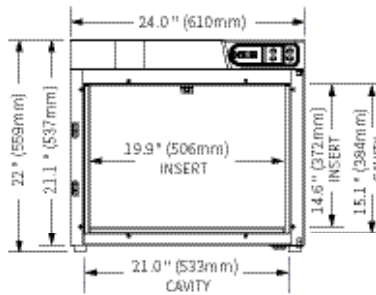
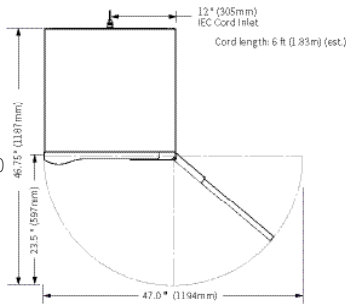
EC/DC250



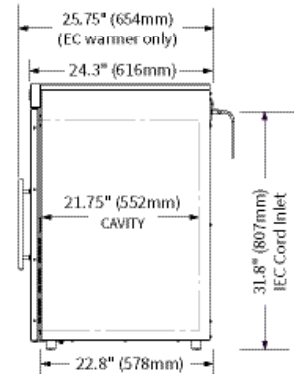
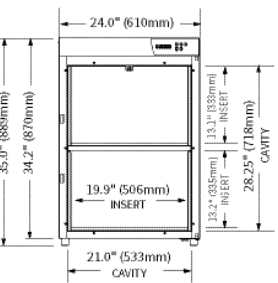
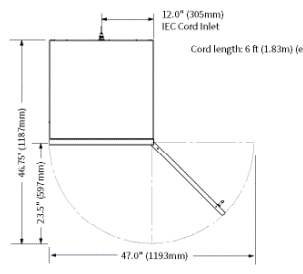
EC/DC350



EC/DC400



EC/DC750



24 750

CC-004-00932

Comfort/Titan Series Blanket Warmers



Specification



Top: 1"
Left: 1"
Right: 1"
Back: 3"

CLEARANCE



DIMENSIONS

| Model | Exterior (H x W x D) | Interior (H x W x D) | Net Weight |
|----------|--|--|-----------------|
| DC250 | 22"(559mm) x 18.5"(470mm) x 22.0"(559mm) | 15.25"(387mm) x 15.5"(394mm) x 18.75"(476mm) | 67 lbs (30 kg) |
| EC250 | 22"(559mm) x 18.5"(470mm) x 23.5"(597mm) | 15.25"(387mm) x 15.5"(394mm) x 18.75"(476mm) | 67 lbs (30 kg) |
| DC350 | 28"(711mm) x 18.5"(470mm) x 22.0" (559mm) | 21.25"(540mm) x 15.5"(394mm) x 18.75"(476mm) | 91 lbs (41 kg) |
| EC350 | 28"(711mm) x 18.5"(470mm) x 23.5" (597mm) | 21.25"(540mm) x 15.5"(394mm) x 18.75"(476mm) | 91 lbs (41 kg) |
| DC400 | 22"(559mm) x 24.0"(610mm) x 24.3" (617mm) | 15.25"(387mm) x 21.0"(533mm) x 21.75"(552mm) | 86 lbs (39 kg) |
| EC400 | 22"(559mm) x 24.0"(610mm) x 25.75" (654mm) | 15.25"(387mm) x 21.0"(533mm) x 21.75"(552mm) | 86 lbs (39 kg) |
| DC750 | 35"(889mm) x 24.0"(610mm) x 24.3" (617mm) | 28.25"(718mm) x 21.0"(533mm) x 21.75"(552mm) | 134 lbs (61 kg) |
| EC750 | 35"(889mm) x 24.0"(610mm) x 25.75" (654mm) | 28.25"(718mm) x 21.0"(533mm) x 21.75"(552mm) | 134 lbs (61 kg) |
| | Ship Dimensions (L x W x H)* | Ship Weight* | |
| EC/DC250 | 23" x 35" x 30" | 110 lbs | |
| EC/DC350 | 23" x 35" x 42" | 140 lbs | |
| EC/DC400 | 31" x 31" x 32" | 144 lbs | |
| EC/DC750 | 35" x 38" x 45" | 184 lbs | |

*Domestic ground shipping information. Contact factory for export weight and dimensions.



ELECTRIC

| | V | Ph | Hz | A | kW | Plug Configuration |
|------------|-----|----|-------|-----|-----|---|
| 250 | 120 | 1 | 60 | 5 | 0.6 | NEMA 5-15P; 15A 125V Plug; Hospital Grade |
| | 220 | 1 | 50/60 | 2.7 | 0.6 | CEE 7/7 220-230V Plug |
| | 230 | 1 | 50/60 | 2.6 | 0.6 | BS 1363 Plug; CEE 7/7 220-230V Plug |
| 350 | 120 | 1 | 60 | 6.7 | 0.8 | NEMA 5-15P; 15A 125V Plug; Hospital Grade |
| | 220 | 1 | 50/60 | 3.6 | 0.8 | CEE 7/7 220-230V Plug |
| | 230 | 1 | 50/60 | 3.5 | 0.8 | BS 1363 Plug; CEE 7/7 220-230V Plug |
| 400 | 120 | 1 | 60 | 5.0 | 0.6 | NEMA 5-15P; 15A 125V Plug; Hospital Grade |
| | 220 | 1 | 50 | 2.7 | 0.6 | CEE 7/7 220-230V Plug |
| | 230 | 1 | 50 | 2.6 | 0.6 | BS 1363 Plug; CEE 7/7 220-230V Plug |
| 750 | 120 | 1 | 60 | 6.7 | 0.8 | NEMA 5-15P; 15A 125V Plug; Hospital Grade |
| | 220 | 1 | 50/60 | 3.6 | 0.8 | CEE 7/7 220-230V Plug |
| | 230 | 1 | 50/60 | 3.5 | 0.8 | BS 1363 Plug; CEE 7/7 220-230V Plug |

*Other international plugs are available, contact the manufacturer for more information.

**Electrical connections must meet all applicable federal, state and local codes.



IPX-0

CONTACT US

W164 N9221 Water Street | Menomonee Falls, Wisconsin 53051 | U.S.A.
Phone: 262.251.8356 | 800.862.9276 | Fax: 262.251.7067 | enthermics.com