

Comfort / Titan Series Fluid Warmers



Safety is a priority with Enthermics Series fluid warmers. Ensure fluids are safely warmed to recommended temperatures through the WarmSafe™ zone heating system. WarmRight® technology provides the right temperature for the right product to meet healthcare guidelines for IV and irrigation fluids.

The patient-friendly Comfort Series allows you to put aesthetically pleasing warming units right where they are needed, allowing nurses and aides to maximize their time.

The durable Titan Series, using 201&430 stainless steel, provides years of worry-free service

The lighting inside the warmers softens the patient's room, placing more emphasis on comfort and care.

WarmSafe Zone Heating: Heat is evenly balanced throughout the chamber to provide safe fluid warming.

Convenient: Keep in patient or procedure rooms with this counter top model.

Service: Our worldwide support team is dedicated to providing quality equipment. We walk with you every step of the way to maximize your return on investment.

Glass Door: Energy-efficient coated glass door reflects heat back into the cavity.

Mobile: Optional casters

Made in the USA with a commitment to quality

Warranty: 3-year parts/1-year labor (US/Canada only)

An ISO 13485:2016 certified company

Standard Features

- Windowed door
- Organizational basket
- Epoxy-coated interior surfaces
- Programmable control with temperature lock feature
- Interior lighting with a comforting blue glow
- Temperature management access point
- Four (4) non-skid rubber feet



- 16** 2.5 ft³ (DC250L/EC250L)
16 (1) Liter bags or 12 (1) liter bottles
- 24** 3.5 ft³ (EC350L -Titan Series only)
24 (1) Liter bags or bottles



- Adjustable temperature range of
- 32°-40°C (90°-104°F) adjustable injection mode
 - 32°-66°C (90°-150°F) adjustable irrigation mode
- Accurate temperature
- IRR +0/-1.67°C (-3°F)
 - INJ +0/-1.10°C (-2°F)

Comfort Series



DC250L

Titan Series



EC250L



EC350L

Configurations (select one of each)

Series

- Comfort (DC) Titan (EC)

Size

- 2.5 ft³ 3.5 ft³ (Titan Series only)

Door Assembly

- Windowed door (standard) Solid door (Titan Series only)

Door Swing

- Right hinged (standard) Left hinged

Door lock

- No lock (standard) Manual lock (Titan Series only)

Baskets - Comfort Series

- 2 baskets (standard) 1 basket

Baskets - Titan Series

- 1 basket (standard-EC250L)
 2 baskets (EC250L)
 1 basket and 1 shelf (standard-EC350L)

Electrical

- 120V 1PH 220V 1PH 230V 1PH

Accessories (select all that apply)

Bumper and Caster Assembly 3" (76mm) casters, 2 rigid; 2 swivel with Brake; overall height increases by 5" (127mm)

- DC250L (5017546) EC250L or EC350L (5017548)

Caster Package with Plate 3" (76mm) casters, 2 rigid; 2 with Brake; overall height increases by 5" (127mm)

- DC250L (5017542) EC250L or EC350L (5017544)

Mobile

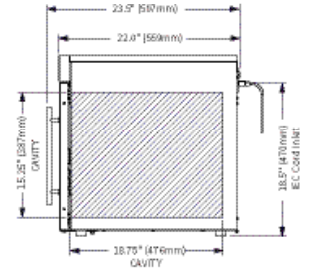
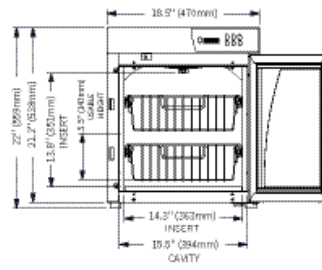
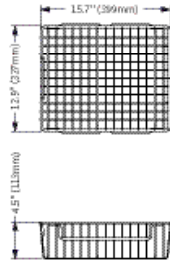
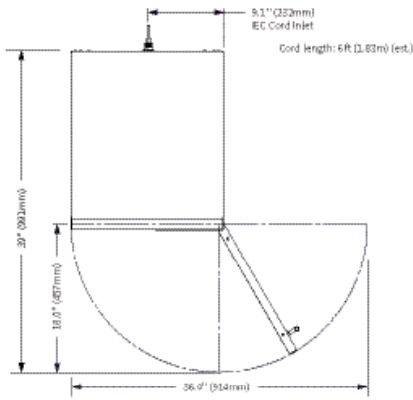
- 3.5" (89mm) casters, 2 swivel; 2 swivel with brake (500206);

Anchorage (4 required)

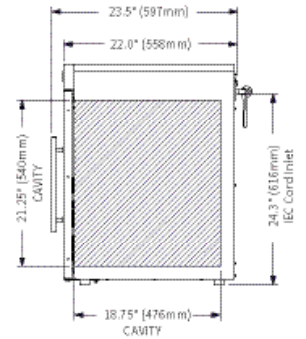
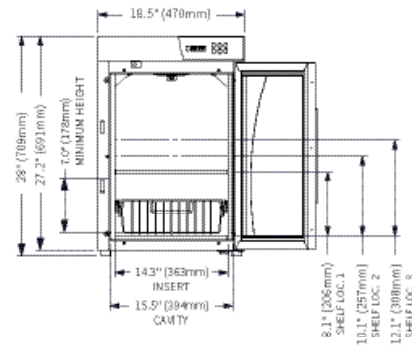
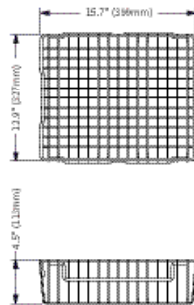
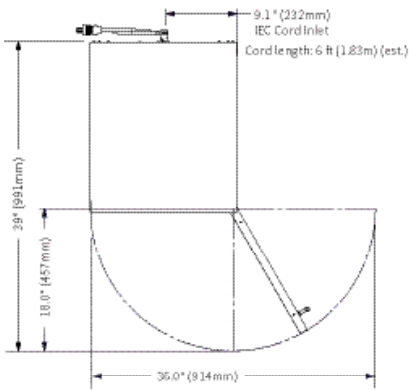
- Anti-tip bracket (1014403)

Comfort/Titan Series Fluid Warmers

EC/DC250L



EC350L



Comfort/Titan Series Fluid Warmers

Specification



CLEARANCE

Top: 1"
 Left: 1"
 Right: 1"
 Back: 3"



DIMENSIONS

Model	Exterior (H x W x D)	Interior (H x W x D)	Net Weight
DC250L	22"(559mm) x 18.5"(470mm) x 22.0"(559mm)	15.25"(387mm) x 15.5"(394mm) x 18.75"(476mm)	67 lbs (30 kg)
EC250L	22"(559mm) x 18.5"(470mm) x 23.5"(597mm)	15.25"(387mm) x 15.5"(394mm) x 18.75"(476mm)	67 lbs (30 kg)
EC350L	28"(711mm) x 18.5"(470mm) x 23.5" (597mm)	21.25"(540mm) x 15.5"(394mm) x 18.75"(476 mm)	91 lbs (41 kg)

	Ship Dimensions (L x W x H)*	Ship Weight*
EC/DC250L	35" x 23" x 30"	116 lbs
EC350L	35" x 23" x 42"	144 lbs

*Domestic ground shipping information. Contact factory for export weight and dimensions.



ELECTRIC

	V	Ph	Hz	A	kW	Plug Configuration
EC/DC250L	120	1	60	3.7	0.44	NEMA 5-15P; 15A 125V Plug; Hospital Grade
	220	1	50/60	2.0	0.44	CEE 7/7 220-230V Plug
	230	1	50/60	1.9	0.44	BS 1363 Plug; CEE 7/7 220-230V Plug
EC350L	120	1	60	3.7	0.44	NEMA 5-15P; 15A 125V Plug; Hospital Grade
	220	1	50/60	2.0	0.44	CEE 7/7 220-230V Plug
	230	1	50/60	1.9	0.44	BS 1363 Plug; CEE 7/7 220-230V Plug

*Other international plugs are available, contact the manufacturer for more information.

**Electrical connections must meet all applicable federal, state and local codes.



IPX-0

CONTACT US

4000 S.E. Columbia Way | Vancouver, Washington 98661 | U.S.A.
 Phone: 800-822-3501 | enthermics.com