

# **Parts Manual**

---

## **EC Series Fluid Warmer** **7.7 cubic foot model**

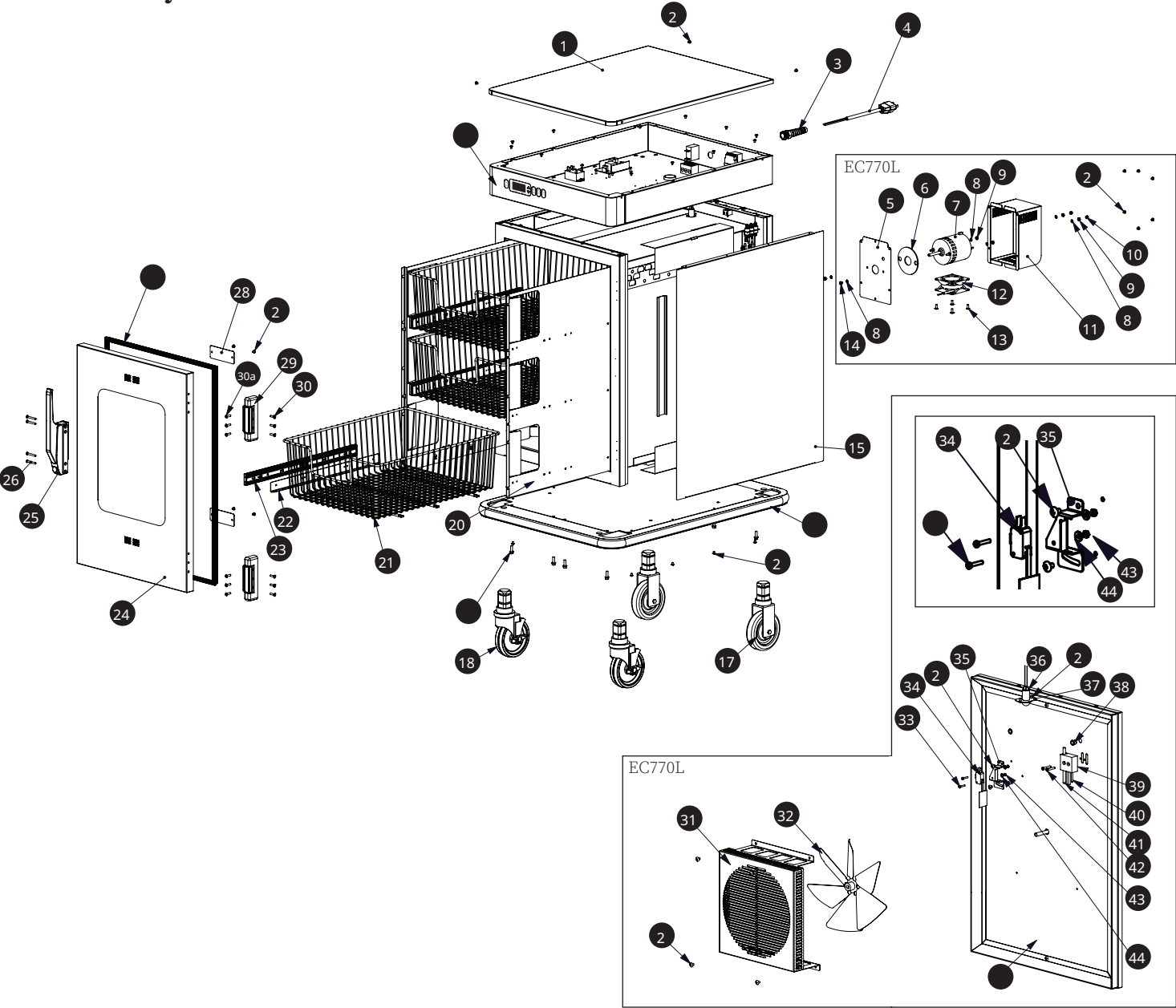
# Table of Contents

---

Full Assembly . . . . .	3-4
Electrical Service List . . . . .	5
Accessories . . . . .	6
Wiring Diagram . . . . .	7-8

Serial number is required for all inquiries.  
Part numbers and drawings are subject to change without notice.

## Full Assembly Service List



Loc	Description	Qty	Part
1	Top	1	5003367
2	Screws, 8-32 x 1/4"	*	SC-2459
3	Strain relief bushing	1	BU-34836
4	Cordset, hospital grade, NEMA 5-15P	1	E3025CD
	Various international plugs are available, contact factory for more information		
5	Plate, motor mount	1	1004300
6	Motor spacer	1	1004303

Serial number is required for all inquiries.

Part numbers and drawings are subject to change without notice.

# Service Parts

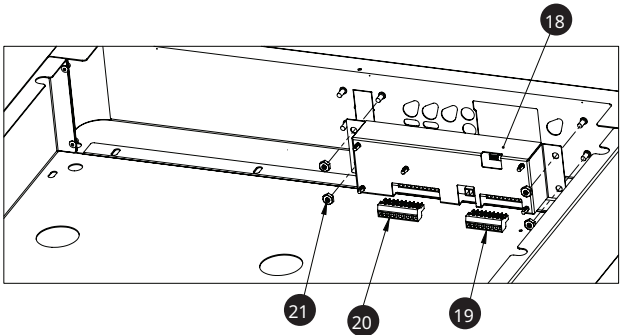
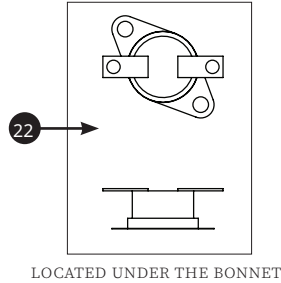
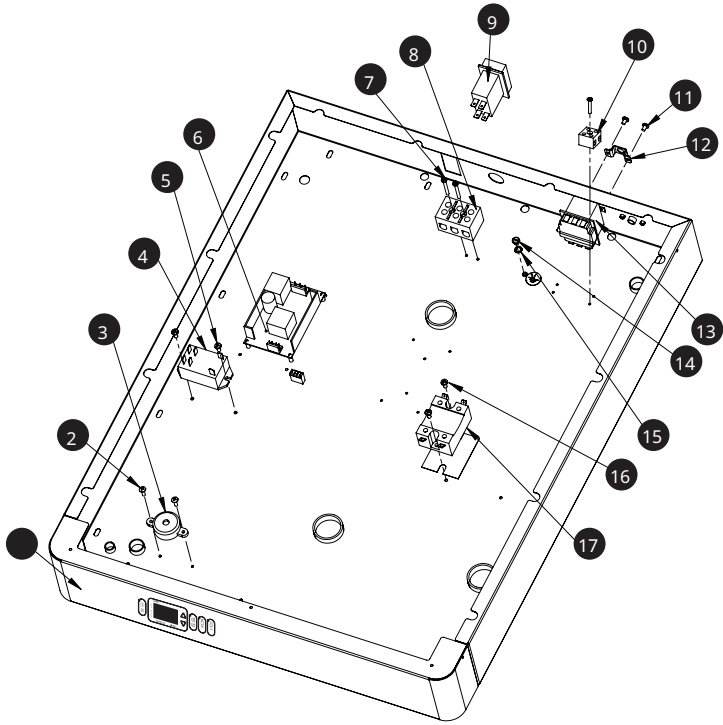
Loc	Description	Qty	Part	Loc	Description	Qty	Part
7	Fan motor, 120V †	1	5025556R	27	Door gasket	1	GS-23794
	Fan motor, 230V †	1	FA-34780	28	Plate, cover, vent	2	1010827
8	Washer, #10 flat nylon, 120V	2	WS-2420	29	Hinge set (1 set of 2 hinges)	1	HG-22338
	Washer, #10 flat nylon, 230V	6	WS-2420	30	Screw, 10-32 x 3/4" flat	6	SC-2713
9	Nut, 8-32, NC hex, 120V	2	NU-2296	30a	Screw, M5 x 0.8 x 20mm flat	6	SC-23868
	Nut, 8-32, NC hex, 230V	4	NU-2996	31	Fan guard	1	1012557
10	Nut, 8-21, NC acorn, 120V	2	NU-2455	32	Fan blade	1	FA-34603
11	Motor box, 120V	2	5003358	33	Screw, M3 x 0.5 x 16mm pan	2	SC-22270
	Motor box, 230V	1	5003358	34	Fan switch	1	SW-46082
12	Box fan, 120V	1	FA-3973	35	Fan switch bracket	1	1011008
	Box fan, 220V	1	FA-3974	36	LED lamp assembly	1	LP-34578
13	Screw, 10-32 x 1/2", motor mount	4	SC-2661	37	Plate access, led lamp	1	1009718
14	Nut, 8-32	2	NU-26526	38	Bushings, snap, 120V	2	BU-3419
15	Sides	2	1010744		Bushings, snap, 230V	7	BU-3419
16	Full perimeter rubber bumper	1	5010873	39	Sensor block	1	BK-28344
17	Casters, 5" (127mm) rigid	2	CS-24874	40	Sensor	1	SN-33541
18	Casters, 5" (127mm) swivel w/ brake	2	CS-24875	41	Thermostat, manual reset	1	E3033TT
19	Screws, 1/4 - 20 x 3/4" hex	8	SC-25286	42	Screw, 8-32 x 1" flat	2	SC-22138
20	Basket support assembly	1	5014019	43	Nut, M3 - 0.5 hex	2	NU-22285
21	Basket	3	BS-28516	44	Washer, M3 x 9mm flat	2	WS-22293
22	Basket support rail	6	1002304	45	Rear cover	1	1010741
23	Basket slide guide (1 set of 2)	3	GI-25942	46	Control panel overlay	1	PE-28316
24	Window door assembly, right hinge	1	5001253	47*	Plug, 0.5" Pry-Out	1	PG-39535
25	Door handle	1	HD-24171	48*	Plug, 0.519" Liquid Tight	1	PG-39530
26	Screw, M5 x 0.8 x 50mm flat	4	SC-35259				

† **Note:** The cavity fan motor has a one year life expectancy. The cavity fan motor parts warranty remains in effect one (1) year from installation or fifteen (15) months from the shipping date, whichever occurs first.

Serial number is required for all inquiries.

Part numbers and drawings are subject to change without notice.

## Electrical Service List



Loc	Description	Qty	Part	Loc	Description	Qty	Part
1	Control panel overlay, Enthemics	1	PE-28316	14	Ground screw	1	SC-2190
2	Screw, 6-32 x 1/2"	2	SC-2472	15	Washer, #10 lock	1	WS-2467
3	Beeper, solid state	1	BP-3567	16	Screw, 8-32 x 3/8"	2	SC-29631
4	Relay, DPST, 30A, 12VDC, coil	1	RL-34434	17	Relay, 25a, zero crossing	1	RL-33829
5	Screw, 8-32 x 3/8" pan, 120V	2	SC-29631		Filter, 10A, 230V unit*	1	FI-34825
	Screw, 8-32 x 3/8" pan, 230V	4	SC-29631	18	Control assembly	1	CC-34765
6	Power supply board, 120V	1	5027500	19	Connectors	1	CR-33718
	Power supply board, 230V	1	BA-34693	20	Connectors	1	CR-33717
7	Screw, 6-32 x 1-1/4" pan	2	SC-2365	21	Nut, 8-32	4	NU-26526
8	Terminal block, 3 form compress	1	BK-3019	22	Thermostat, hi-limit	1	E3040TT
9	Circuit breaker switch, 20A	1	SW-33858	23	Equipontential stud*	1	ST-25670
	Circuit breaker switch, 10A	1	SW-33826	24	Wire diagram*, 120V	1	7784
10	Terminal block, porcelain	1	BK-33546		Wire diagram*, 230V	1	77166
11	Screw, M4 x 0.7 x 6mm pan	2	SC-22271				
12	Cover, hi-limit	1	1009751				
13	Thermostat, manual reset	1	E3030TT				

\*Not shown

Serial number is required for all inquiries.  
 Part numbers and drawings are subject to change without notice.

# Options and Accessories

---

## Options and Accessories Parts List\*

\*Not shown

Description	Part
Built-in trim kit, reach-in	Contact factory
Leg kit upgrade kit, 6" (152mm)	5011149
Lock for door handle	LK-22567
Solid door assembly	5012572
<b>Stacking hardware</b>	
EC770L over EC770L	5011588

## Heating Cable Replacement Kits\*

\*Not shown

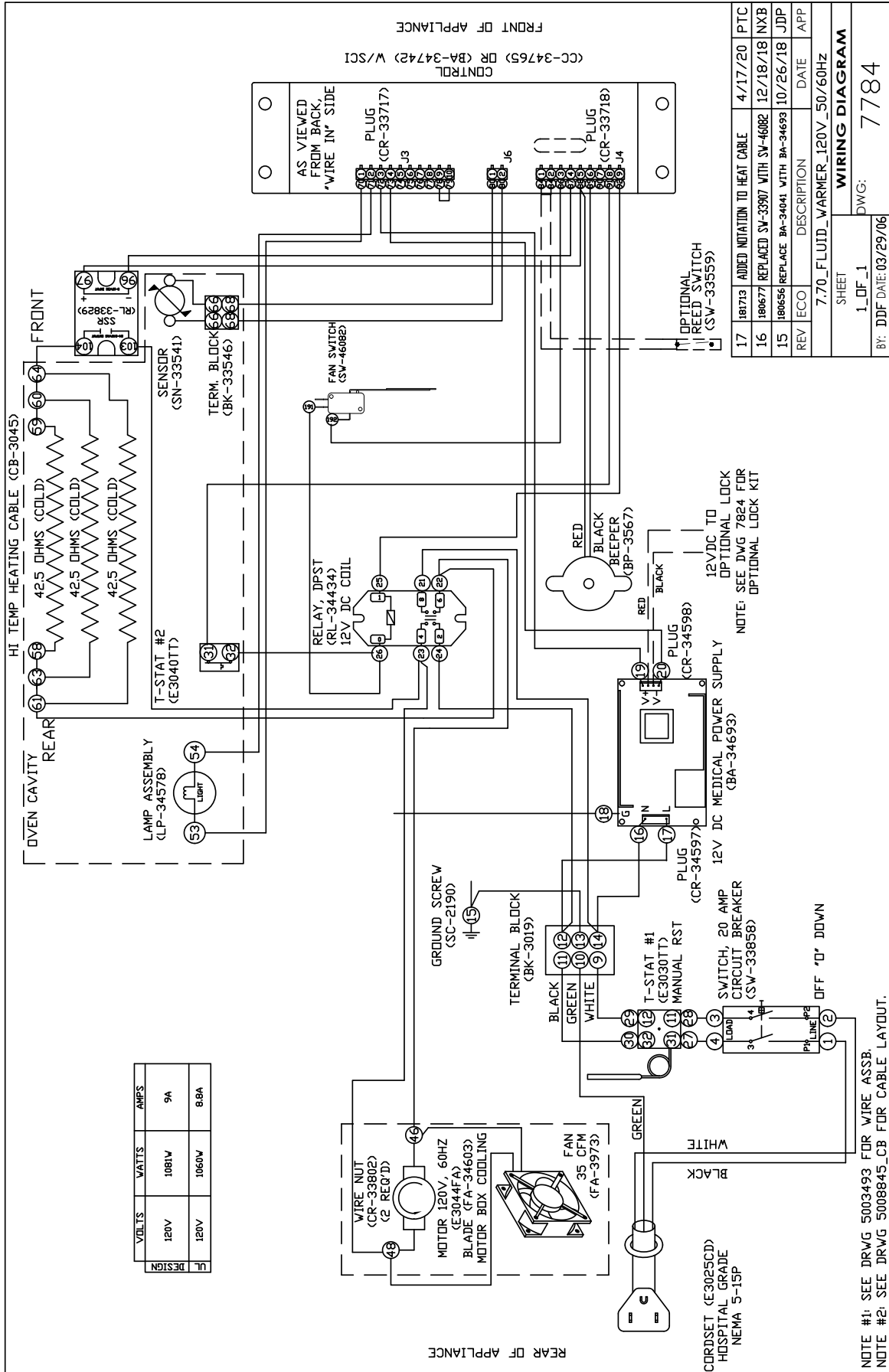
		Part
<b>Cable replacement kit number</b>		4881
<b>Service kit includes:</b>		
CB-3045	Cable heating element	210 ft (64m)
BU-3106	Cup bushing	12
TA-3540	Electrical tape	1 Roll
NU-2215	Hex nut	24
IN-3488	Insulation corner	8 ft (2m)
SL-3063	Insulating sleeve	12
CR-3226	Ring connector	12
BU-3105	Shoulder bushing	12
ST-2439	Stud, 10-32	12

Serial number is required for all inquiries.

Part numbers and drawings are subject to change without notice.

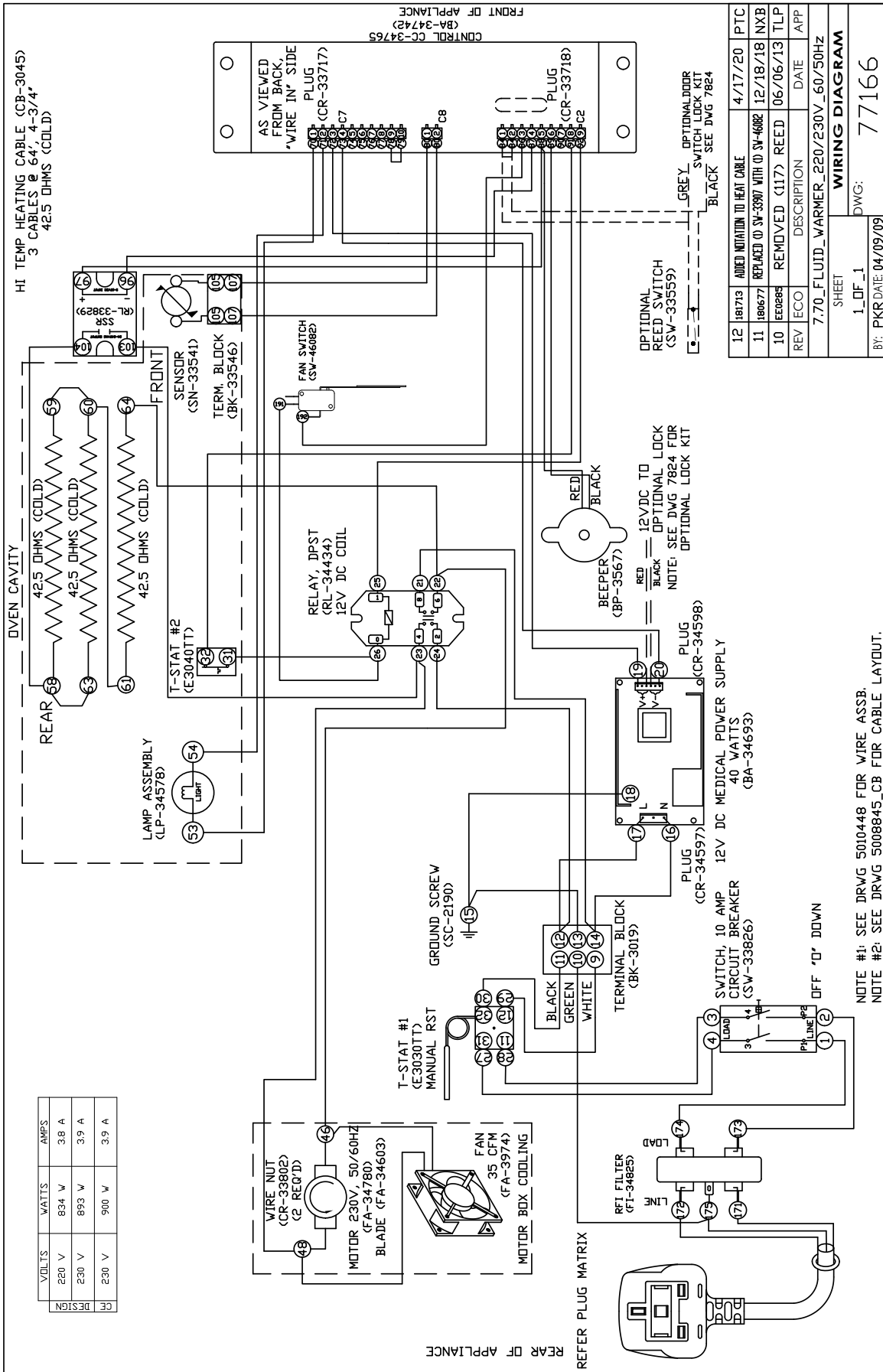
# Wiring Diagram

Refer to wire diagram included with the unit.



# Wiring Diagram

Refer to wire diagram included with the unit.



REV	ECO	DESCRIPTION	DATE	APP
12	181713	ADDED NOTATION TO HEAT CABLE	4/17/20	PTC
11	180677	REPLACED (O) SW-3387 WITH (O) SW-46082	12/18/18	NXB
10	180288	REMOVED (I17) REED	06/06/13	TLP

7.70_FLUID_WARMER_220/230V_60/50Hz	
SHEET	DATE
1_DF_1	04/09/09

BY: PKR DATE: 04/09/09

NOTE #1: SEE DRWG 5010448 FOR WIRE ASSB.  
 NOTE #2: SEE DRWG 5008845\_CB FOR CABLE LAYOUT.

WIRING DIAGRAM  
 DWG: 77166