

Parts Manual

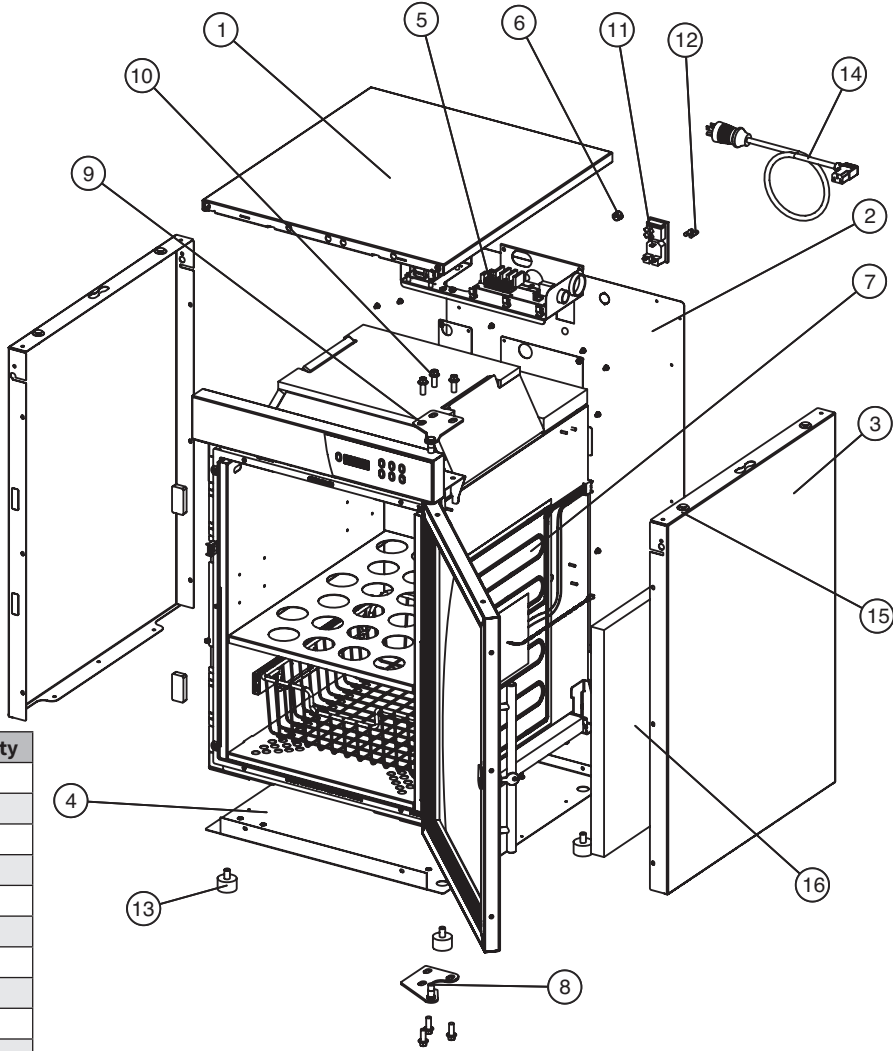
Fluid Warmers **2.5 and 3.5 cubic foot models**

MN-39736 • Rev 9 • 09/21

Table of Contents

Full View	3
Interior View	4
Electrical Chassis	5
Fan Assembly	6
Cavity Sensor	7
Control Interface	8
Accessories	9
Service Kit for Heat Pad Replacement	9
Wiring Diagram10

Full View (3.5 cu. ft. model shown)



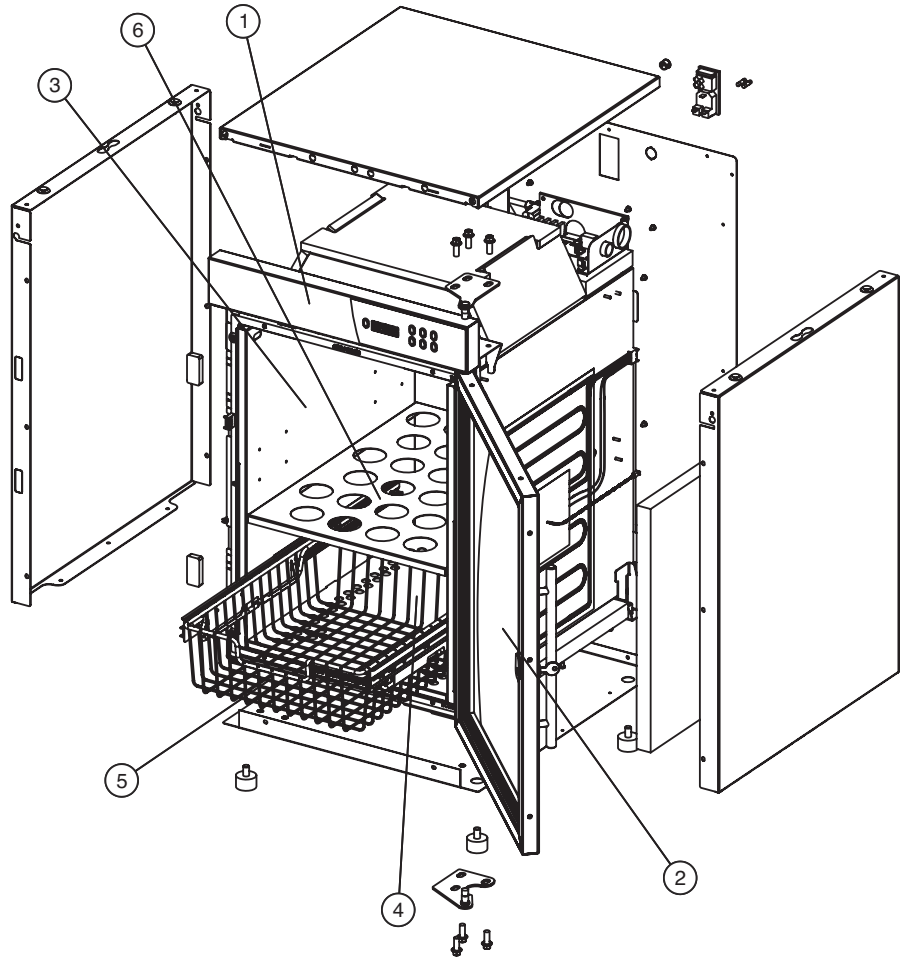
Item	Description	Part	Qty
1	Panel, Top Cover, EC250L, EC350L	1014271	1
	Panel, Top cover, DC250L	1029428	1
2	Panel, Rear Cover, EC350L	1031954	1
	Panel, Rear Cover, EC250L, DC250L	1031952	1
3	Panel, Side Cover, EC350L	1014275	2
	Panel, Side Cover, EC250L	1014268	2
	Panel, Side Cover, DC250L	1029427	2
4	Panel, Bottom Cover, EC250L, EC350L	1014270	1
	Panel, Bottom Cover, DC250L	1029443	1
5	Chassis, 120V	5017792	1
	Chassis, 230V	5017795	1
6	Plug, 1/2" Hole	PG-3344	1
7	Heater Pad, W/ Sensor And Hi-limit	EL-36692	2
8	Lower Hinge, RH, Assembly	5015523	1
	Lower Hinge, LH, Assembly	5018611	1
9	Upper Hinge, RH, Assembly	5015522	1
	Upper Hinge, LH, Assembly	5018610	1
10	Screw, M8 x 1.25 x 20mm Hex Flg	SC-27046	6
11	Switch, Fuse Box	SW-46492	1
12	Fuse, Glass Envelope	FU-34955	2
13	Bumper Feet, Rubber	FE-29203	4
14	Power Cord, Nema 5-15P, 120V	CD-35030	1
	Various international cords are available, contact factory for more information		
15	Clip, Nylon Trim Panel	CL-29193	6
16	Insulation Kit	5018011	1

Serial number is required for all inquiries.

Part numbers and drawings are subject to change without notice.

Service Parts

Interior View (3.5 cu. ft. model shown)

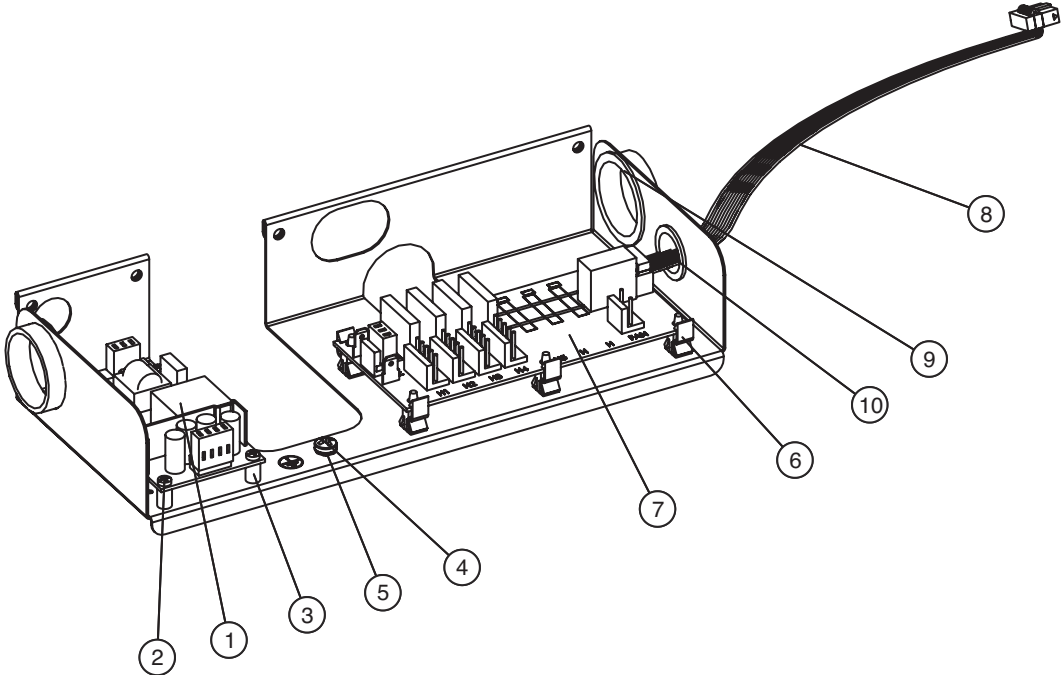


Item	Description	Part	Qty	Item	Description	Part	Qty
1	Interface Assembly - EC250L, EC350L	5021918	1	2	Door assembly, S/S, window w/ lock, 2.5 cu. ft.	5018007	1
	Interface Assembly w/datalogger - EC250L, EC350L	5028969	1		Door assembly, S/S, solid, 2.5 cu. ft.	5017762	1
	Interface Assembly - DC250L	5028029	1		Door assembly, S/S, window, 2.5 cu. ft.	5017998	1
	Interface Assembly w/datalogger - DC250L	5028992	1		Door assembly, P/S, window, 2.5 cu. ft.	5027970	1
2	Door assembly, S/S, solid, 3.5 cu. ft.	5017763	1		Door assembly, P/S, window w/lock, 2.5 cu. ft.	5027973	1
	Door assembly, S/S, window, 3.5 cu. ft.	5017999	1	3	Panel, Blanket Insert Side, 3.5 cu. ft.	1016777	2
	Door assembly, S/S, solid w/ lock, 3.5 cu. ft.	5018002	1		Panel, Blanket Insert Side, 2.5 cu. ft.	1019459	2
	Door assembly, S/S, window w/ lock, 3.5 cu. ft.	5018008	1	4	Panel, Blanket insert Bottom	1025218	1
	Door assembly, S/S, solid w/ lock, 2.5 cu. ft.	5018001	1	5	Basket Kit (1 std. Titan Series, 2 std. Comfort Series)	5021956	1
					contains		
					- Basket tray	BS-38461	1
					- Basket Rail Assembly, Right Hand	5021954	1
					- Basket Rail Assembly, Left Hand	5021953	1
				6	Panel, Shelf	1025195	1

Serial number is required for all inquiries.

Part numbers and drawings are subject to change without notice.

Electrical Chassis



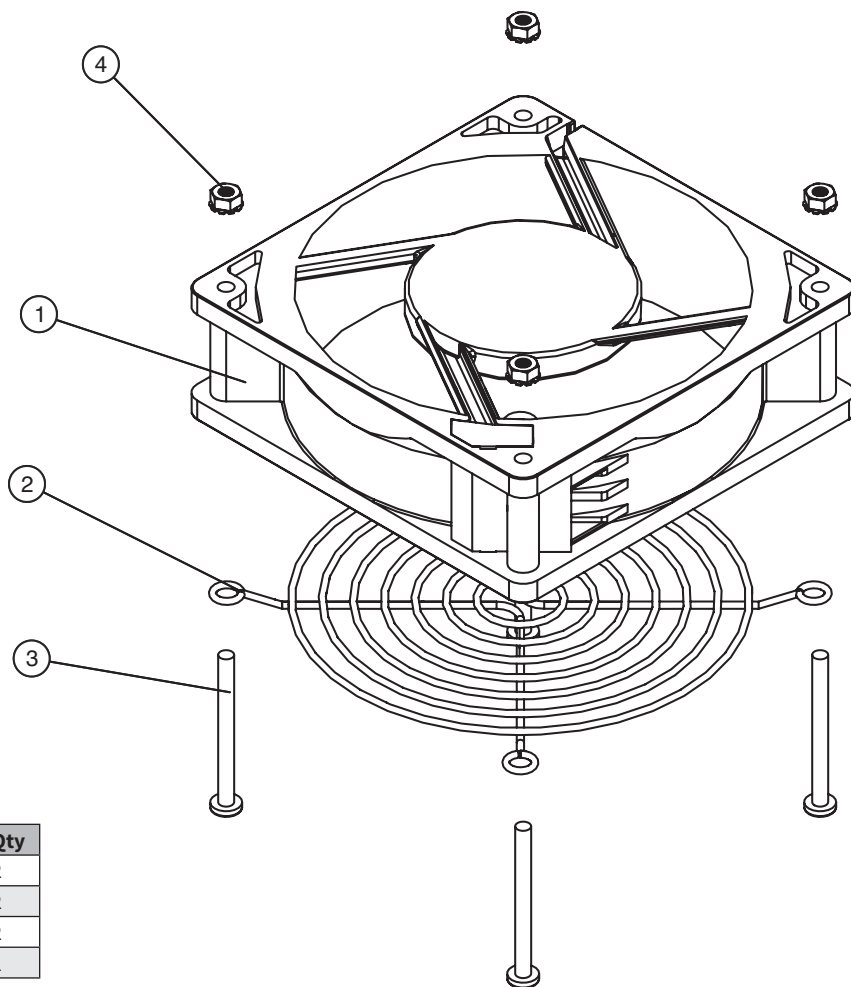
Item	Description	Part	Qty
1	Power supply, 20W, 5 volt DC	BA-34965	1
2	Screw, M3-0.5 x 16mm, Phillips head	SC-22270	4
3	Spacer, 1/4" dia x 3/8" nylon	SP-29425	4
4	Ground screw, zinc, pan Phillips head, metric, M5	SC-36973	1
5	Washer, interlocking	WS-2467	1
6	Clip, edge holding	CL-35031	5
7	Relay Board, 2-Zone, 120V	BA-46669	1
	Relay Board, 2-Zone, 230V	BA-46670	1
8	Cable, relay board	CB-35193	1
9	Bushing, snap, 1-1/2"	BU-3013	2
10	Bushing, snap, 7/8", black	BU-3007	1

Serial number is required for all inquiries.

Part numbers and drawings are subject to change without notice.

Service Parts

Fan Assembly

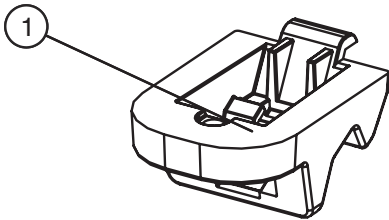
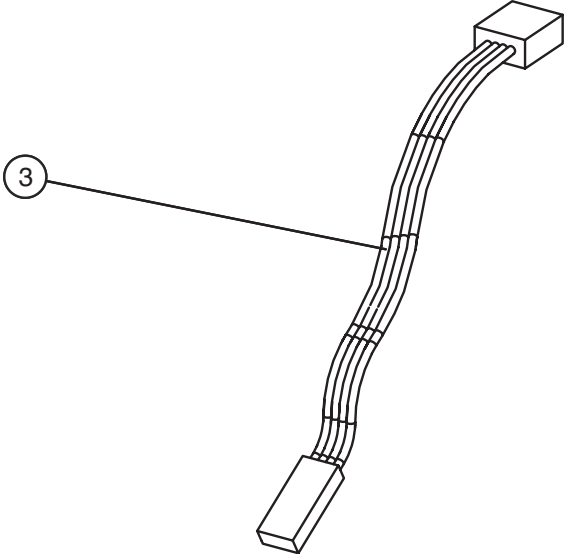


Item	Description	Part	Qty
1	Fan, Axial, 120mm, 100-240v	FA-39406	2
2	Fan Guard	GD-2396	2
3	Screw, M4 x 0.7 x 45mm Pan	SC-28142	2
4	Nut, M4, Keps, Zinc Plated	NU-36319	1

Serial number is required for all inquiries.

Part numbers and drawings are subject to change without notice.

Cavity Sensor



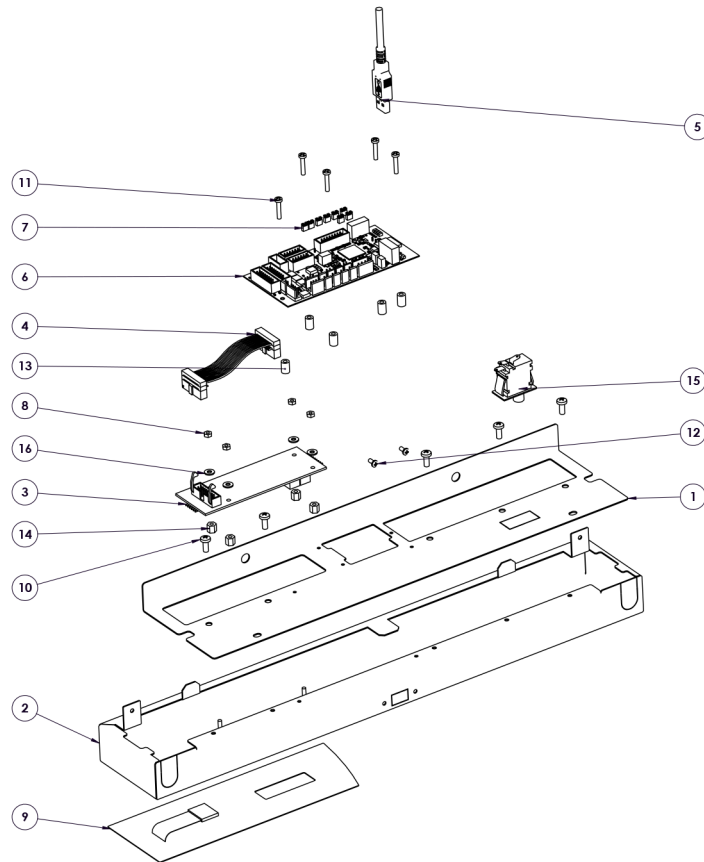
Item	Description	Part	Qty
1	Block, Sensor Mount	BK-29882	1
2	Screw, M4 x 0.7 x 10mm pan	SC-22273	1
3	Cavity Sensor	PR-47194	1

Serial number is required for all inquiries.

Part numbers and drawings are subject to change without notice.

Service Parts

Control Interface




Item	Description	Part	Qty
1	Panel, Front Top Trim, S/S - EC250L/350L	1016561	1
	Panel, Front Top Trim DC250L	1029430	1
2	Interface Assembly, 18.5" - EC250L/350L	5017925	1
	Interface Assembly, DC250L	5027968	1
3	Circuit Board, Fluid Display	BA-35309	1
4	Cable, 3.5" display	CB-35192	1
5	USB Cable, 20"	CB-37645	1
6	Board, Circuit, Control	CC-39754	1
7	Shunt Jumper	CR-36952	8
8	Nut, M3-0.5 Hex Nut	NU-22285	4
9	Panel Overlay, EC250/350L, Control	PE-46500	1
	Panel Overlay, DC250L	PE-46246	1
10	Screw, M4 x 0.7 x 10MM Pan	SC-22273	5
11	Screw, M3-0.5 x 16MM, PH HD	SC-35824	5
12	Screw, 4-40 x 1/4" Pan	SC-39856	2
13	Spacer, 1/4" Dia x 3/8" Nylon	SP-29425	5
14	Spacer, Support, NYL, 1.4"	SP-33707	4
15	Switch, Button, 1/3 HP, 10A	SW-35416	1
16	Washer, 6-32, Flat, NYL	WS-23148	4

Serial number is required for all inquiries.

Part numbers and drawings are subject to change without notice.

Accessories

	EC250L	DC250L	EC350L
Bumper and Caster Assembly 3" (76mm) caster (2 rigid, 2 swivel with brake); overall height increases by 5" (127mm)			
	5017548R	5017546R	5017548R
Plate and Caster Assembly 3" (76mm) caster (2 rigid, 2 swivel with brake); overall height increases by 5" (127mm)			
	5017544R	5017542R	5017544R
Cart Overall dimensions 36-1/2" (927mm) H x 26" (660mm) W x 26" (660mm) D			
Caution: Tipping hazard. To reduce the risk of personal injury place appliance on cart, centered front to back, and centered side to side. 	500206	500206	500206
Door, Right or Left Hinged			
Solid door without manual door lock	5017762	—	5017763
Solid door with manual door lock	5018001	—	5018002
Windowed door without manual door lock	5017998	5027970	5017999
Windowed door with manual door lock	5018007	5027973	5018008
Stacking Hardware - double stacked			
	5017272	5013021	5017272
TempTrak Assembly			
Transmitter & Probe Kit 900MHZ	5032535	5032535	5032535
Basket (replacement basket)			
	BS-38461	BS-38461	BS-38461

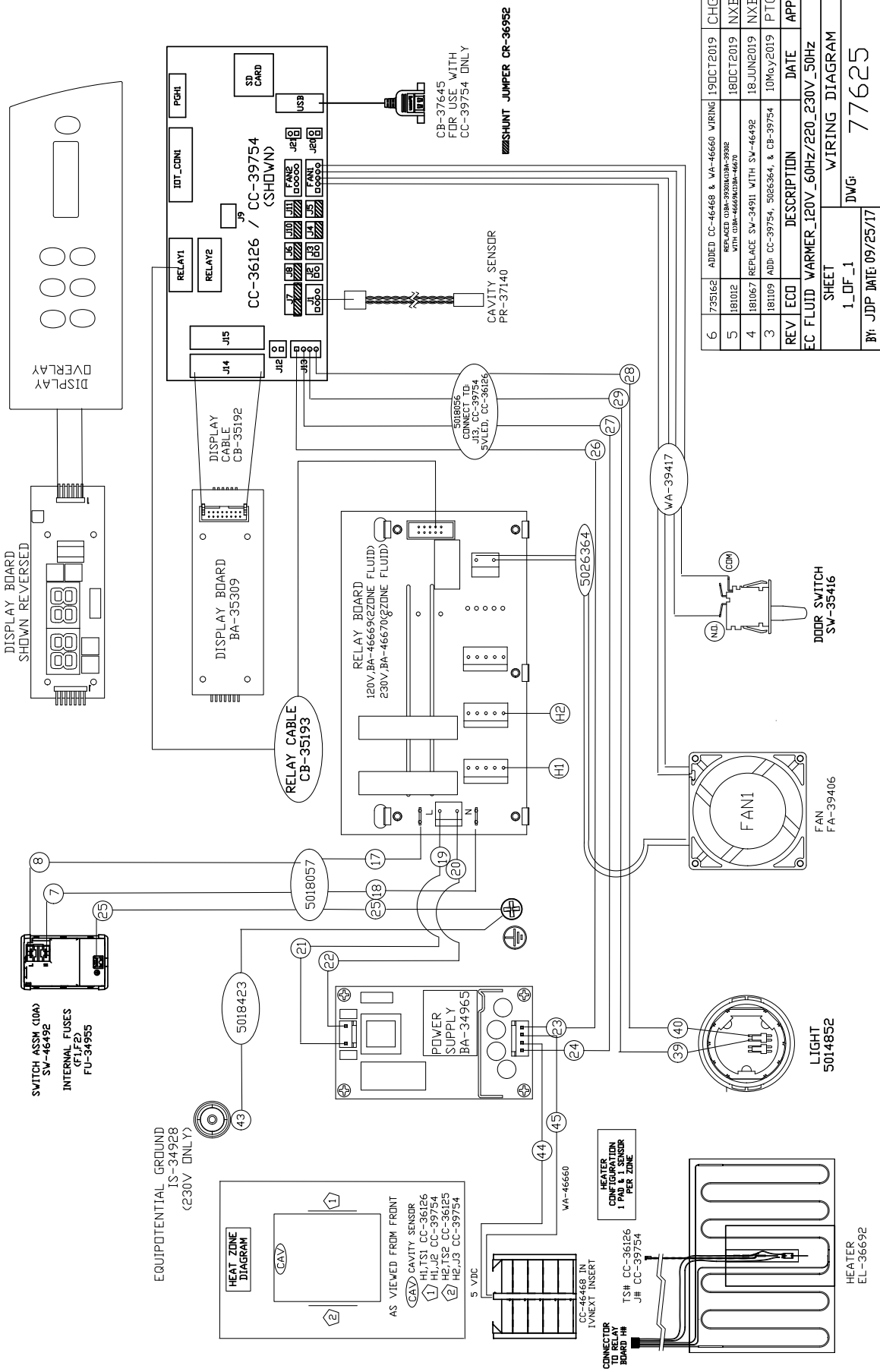
Service Kit for Heat Pad Replacement

Description	Part No.	Models
Service Kit for EL-36692	5027888	2.5ft3, 3.5ft3

Serial number is required for all inquiries.

Part numbers and drawings are subject to change without notice.

Wiring Diagram



REV	ECD	DESCRIPTION	DATE	APP
6	735162	ADDED CC-46468 & VA-46660 WIRING	19DCT2019	CHG
5	181012	REPLACED (3BA-390010)BA-39362 WITH (3BA-46669)BA-46670	18DCT2019	NXB
4	181067	REPLACE SW-34911 WITH SW-46492	18JUN2019	NXB
3	181109	ADD CC-39754, 5026364, & CB-39754	10MAY2019	PTC

EC FLUID WARMER_120V_60Hz/220_230V_50Hz	DATE	APP
1_DF_1	09/25/17	

BY: JDP	DATE: 09/25/17	DWG#: 77625
---------	----------------	-------------