

Parts Manual

EC Series Combination Blanket/Fluid Warmer 15.4 cubic foot model

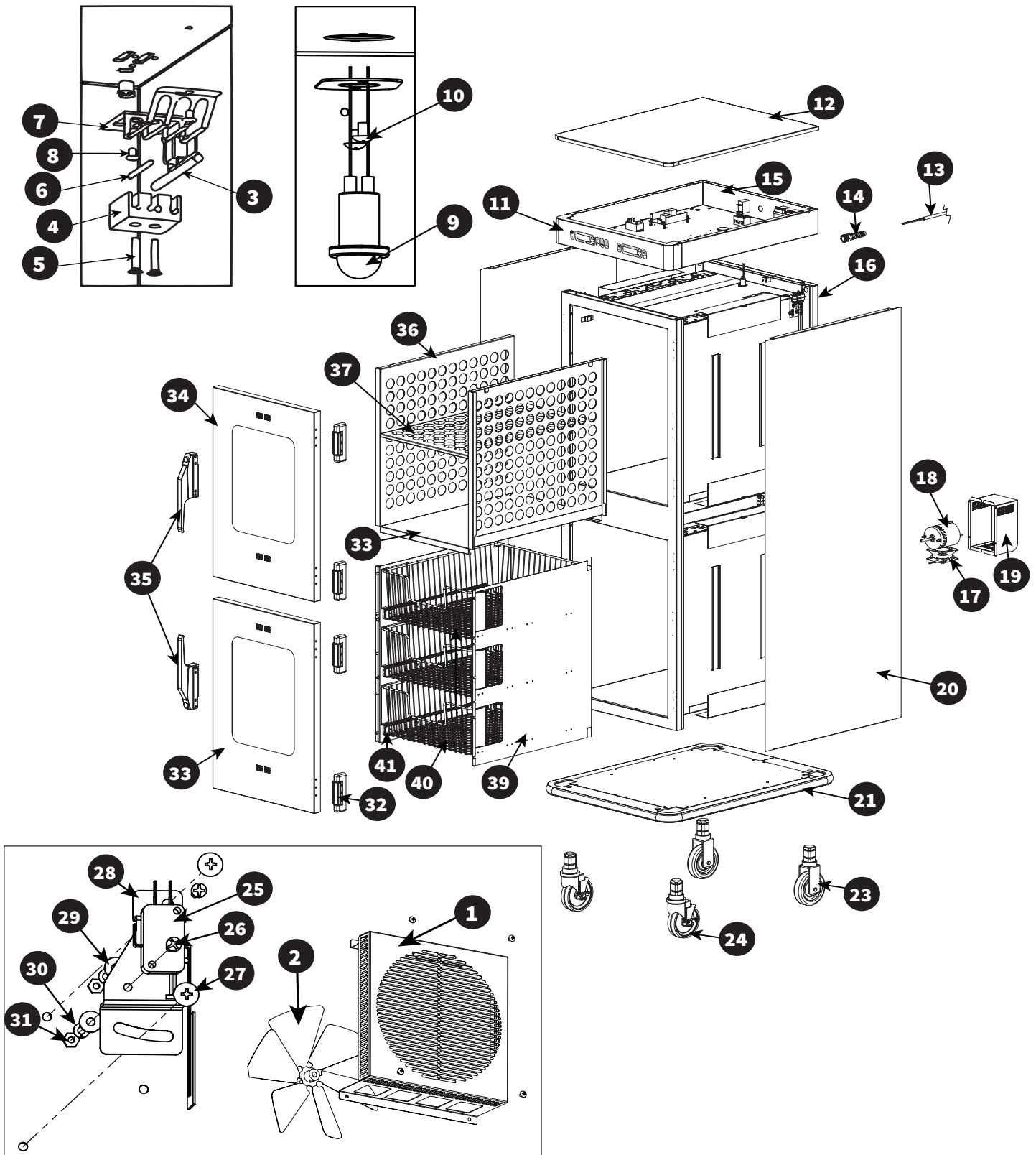
MN-47334 • Rev 0 • 01/2021

Table of Contents

Full View	3-4
Electrical Chassis5
Accessories6
Service Kit for Heat Pad Replacement6
Wiring Diagram	7-8

Service Parts

Full View



Serial number is required for all inquiries.

Part numbers and drawings are subject to change without notice.

Full View

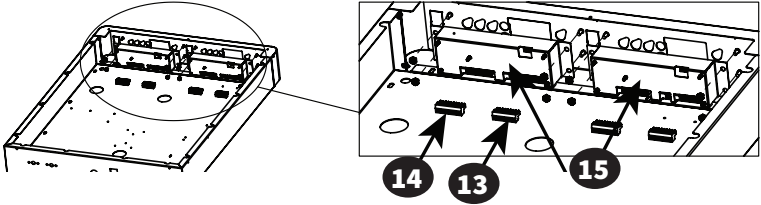
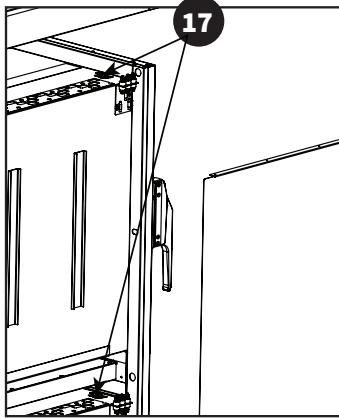
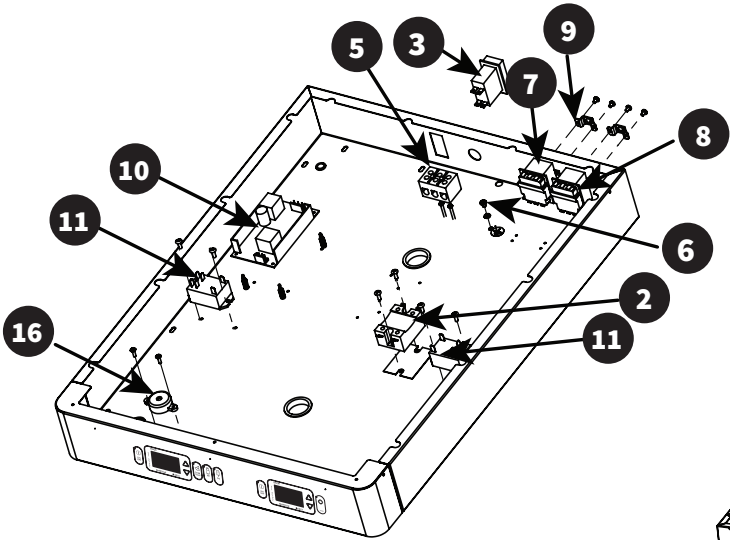
LOC	DESCRIPTION	QTY	PART
1	INTERIOR FAN HOUSING/GUARD	1	1012557
2	FAN BLADE	1	FA-34603
3	THERMOSTAT, MANUAL RESET, FLUID	1	TT-34644
	THERMOSTAT, MANUAL RESET, BLANKET	1	TT-33476
4	SENSOR BLOCK	2	BK-28344
5	SCREWS, SENSOR BLOCK (8-32 x 1" FH PHH)	4	SC-22138
6	SENSOR	2	SN-33541
7	SENSOR GUARD	1	1010539
8	SCREWS, SENSOR GUARD & TOP COVER	**	SC-2459
9	LED LAMP	2	LP-34578
10	LED LAMP SCREWS (8-32 x 1/4" PHH)	2	SC-2459
11	CONTROL PANEL OVERLAY	1	PE-28312
12	TOP COVER	1	5003367
13	CORDSET, HOSPITAL GRADE, 10FT (3M)	1	E3029CD
	VARIOUS INTERNATIONAL PLUGS ARE AVAILABLE. CONTACT FACTORY FOR MORE INFORMATION		
14	STRAIN RELIEF BUSHING	1	BU-34836
15	BONNET		5008861
16	REAR COVER	1	5009112
17	FAN, BOX - 110V	MOTOR COOLING	1 FA-3973
		AMBIENT	1 FA-3973
	FAN, BOX - 230V	MOTOR COOLING	1 FA-3974
		AMBIENT	1 FA-3974
18	FAN MOTOR - 110V	1	502556R
	FAN MOTOR - 230V	1	FA-34780
19	MOTOR BOX	1	1004301
*	MOTOR MOUNT	1	1004300
*	MOTOR SPACER	1	1004303
20	SIDE COVERS	2	1010698
21	BOTTOM/BUMPER ASSEMBLY	1	5010873
23	CASTERS, 5" (127mm) RIGID	2	CS-24874
24	CASTERS, 5" (127mm) SWIVEL W/ BRAKE	2	CS-24875
25	FAN SWITCH	1	SW-33907
26	SCREWS, FAN SWITCH (8-32 x 1" FH PHH)	2	SC-22138
27	SCREWS, FAN SWITCH BRACKET (8-32 x 1/4" FH PHH)	2	SC-2459
28	BRACKET, FAN SWITCH	1	1011008
29	WASHER, FLAT, M3	2	WS-22293
30	WASHER, SPLIT LOCK, M3	2	WS-22299
31	NUT, M3-0.5 HEX NUT	2	NU-22285
32	HINGE SET (1 SET OF 2 HINGES)	2	HG-22338
*	SCREWS, HINGE (M5 x 0.8 x 20MM FH PHH)	12	SC-23868
*	SCREWS, HINGE (10-32 x 1" FH)	12	SC-2713
33	WINDOW DOOR ASSEMBLY	LOWER	1 5001253
*	GASKET, DOOR	LOWER	1 GS-23794
34	WINDOW DOOR ASSEMBLY	UPPER	1 5001253
*	GASKET, DOOR	UPPER	1 GS-23794
35	HANDLE, DOOR		2 HD-24171
*	SCREWS, STRIKER PLATE (10-32 x 3/4" PH)		4 SC-2071
*	SCREWS, HANDLE (M5 x 0.8 x 50MM FH PHH)		8 SC-35259
36	BLANKET SUPPORT SIDE		1 5012173
37	BLANKET SUPPORT SHELF		1 5012177
39	FLUID INSERT ASSEMBLY		1 5014019
40	BASKET		3 BS-28516
41	DRAWER SLIDE GUIDE		3 GI-25942

* Not Shown

Serial number is required for all inquiries.

Part numbers and drawings are subject to change without notice.

Electrical Chassis



LOC	DESCRIPTION	QTY	EC1540BL P/N	LOC	DESCRIPTION	QTY	EC1540BL P/N	
1	FAN, BOX - 110V	1	FA-3973	9	COVER, HI-LIMIT	2	1009751	
	AMBIENT	1	FA-3973*	10	POWER SUPPLY BOARD - 110V	1	BA-34596	
	FAN, BOX - 230V	1	FA-3974		POWER SUPPLY BOARD - 230V	1	BA-34693	
	AMBIENT	1	FA-3974*	11	RELAY, 12V DC, COIL	2	RL-34434	
2	RELAY, 25A	1	RL-33829	12	TERMINAL BLOCK, PORCELAIN	1	BK-33546	
3	SWITCH, CIRCUIT BREAKER	1	SW-33858	13	CONNECTORS	2	CR-33717	
**	FILTER - 230V ONLY	1	FI-34825	14	CONNECTORS	2	CR-33718	
4	FAN MOTOR - 110V	1	5025556R	15	CONTROL ASSEMBLY	2	CC-34765	
	FAN MOTOR - 230V	1	FA-34780	16	BEEPER, SOLID STATE	1	BP-3567	
5	TERMINAL BLOCK, 3 FORM COMPRESS	1	BK-3019	17	THERMOSTAT, AUTO HI-LIMIT	UPPER	1	TT-34350
6	GROUND SCREW	1	SC-2190		THERMOSTAT, AUTO HI-LIMIT	LOWER	1	E3040TT
7	THERMOSTAT, MANUAL HI-LIMIT	UPPER	1	TT-33476	*	EQUIPOTENTIAL STUD - 230V ONLY	1	ST-25670
8	THERMOSTAT, MANUAL HI-LIMIT	LOWER	1	TT-34644	18**	WIRE DIAGRAM	1	7781
9	COVER, HI-LIMIT	2	1009751					

* Not shown
 ** see wiring diagrams

Serial number is required for all inquiries.

Part numbers and drawings are subject to change without notice.

Service Parts

Accessories

Description	Part No.
Built-in trim kit	5013889
Leg Kit Upgrade, 6" (152mm)	contact factory
Lock for door handle	LK-22567
Window Door Assembly (Lower)	5012573
Window Door Assembly (Upper)	5012573
Solid Door Assembly (Lower)	5012572
Solid Door Assembly (Upper)	5012572

Heating Cable Replacement Kits (1 kit per chamber)* *not shown

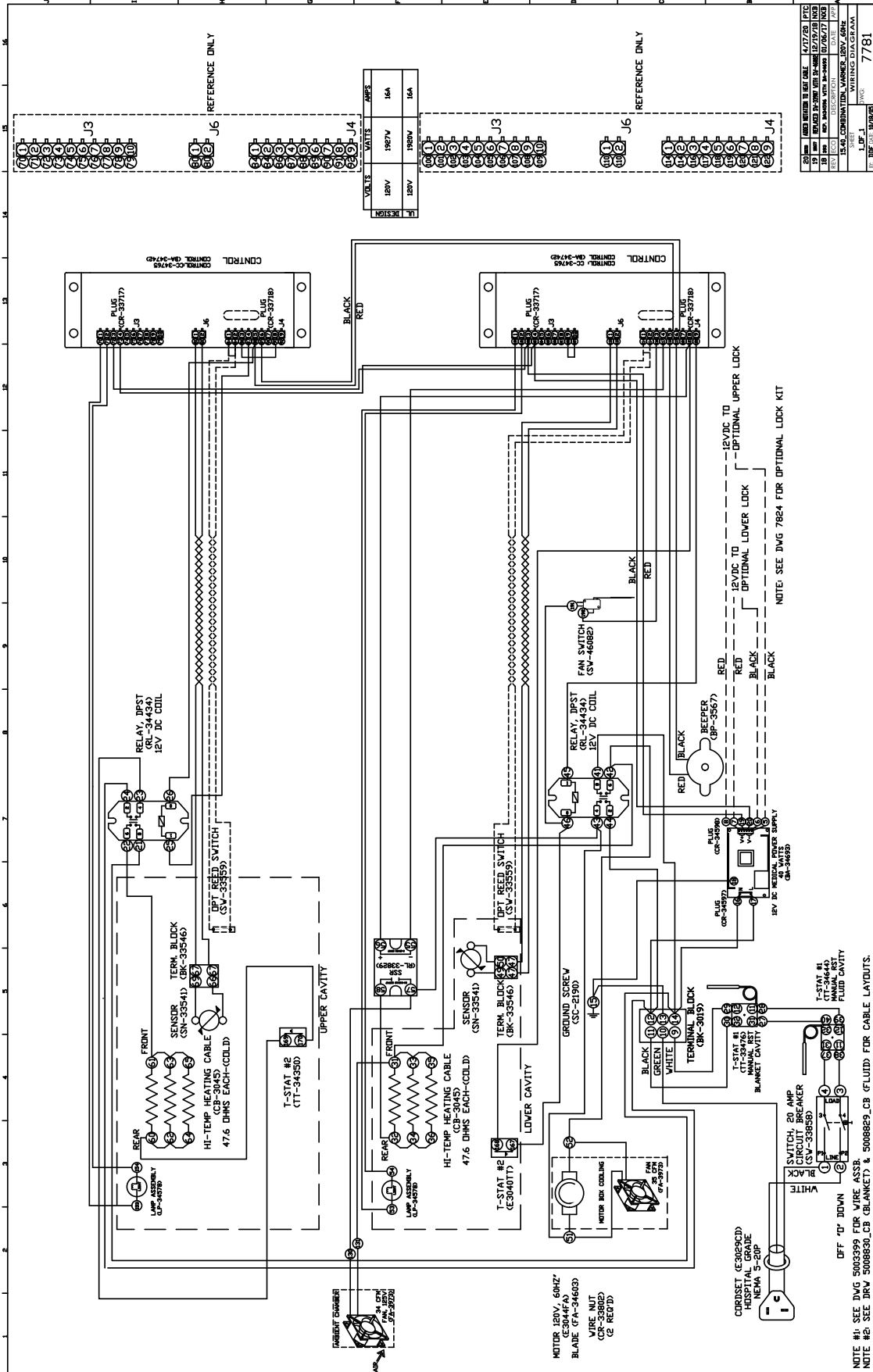
Cable Replacement Kit Number	14228	
Service kit includes:		
CB-3045	CABLE HEATING ELEMENT	280 FT (85M)
BU-3106	CUP BUSHING	12
TA-3540	ELECTRICAL TAPE	1 ROLL
NU-2215	HEX NUT	24
IN-3488	INSULATION CORNER	8 FT (2M)
SL-3063	INSULATING SLEEVE	12
CR-3226	RING CONNECTOR	12
BU-3105	SHOULDER BUSHING	12
ST-2439	STUD, 10-32	12

* Not Shown

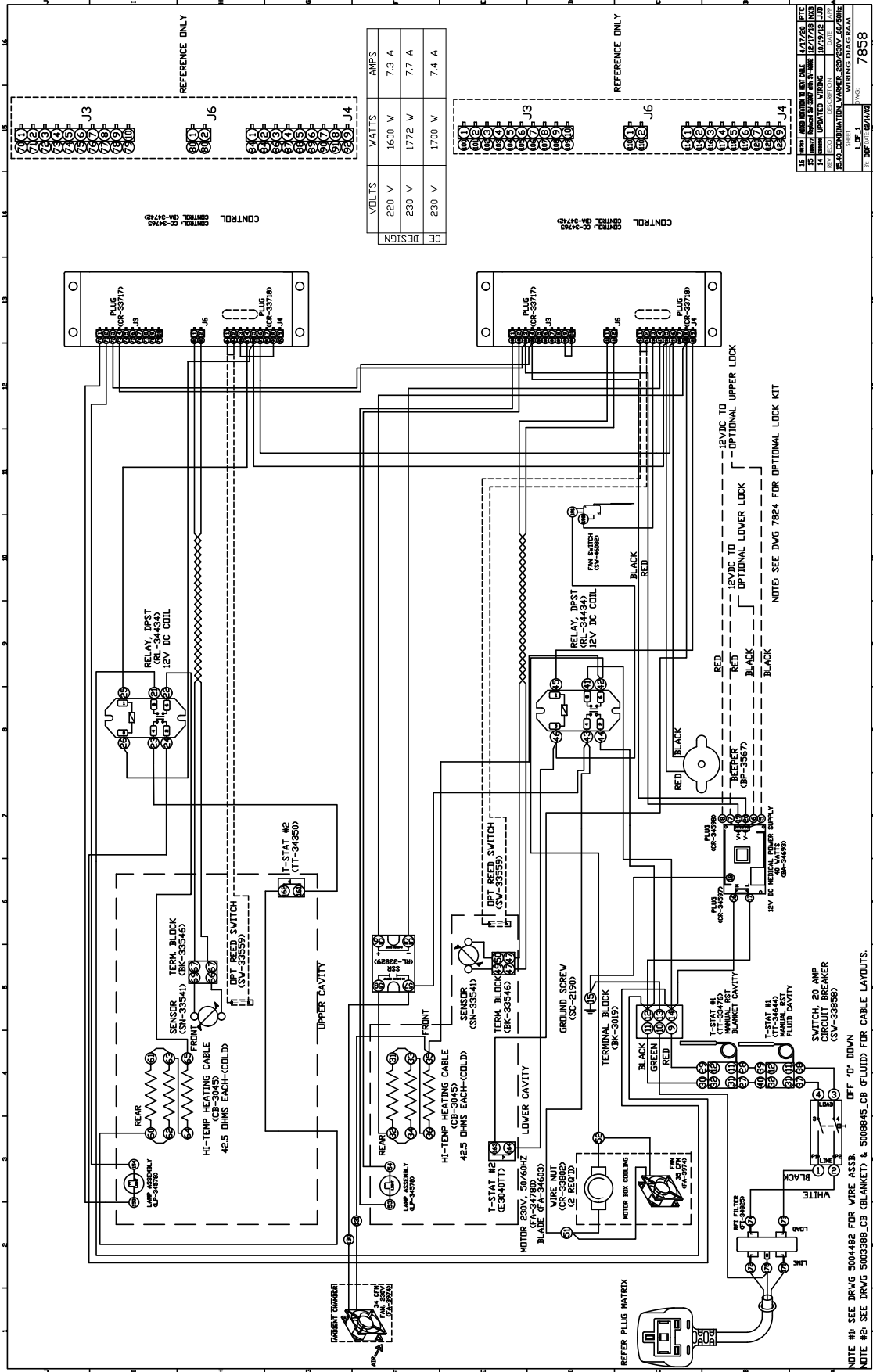
Serial number is required for all inquiries.

Part numbers and drawings are subject to change without notice.

Wiring Diagram



Wiring Diagram



Serial number is required for all inquiries.

Part numbers and drawings are subject to change without notice.