

# Parts Manual

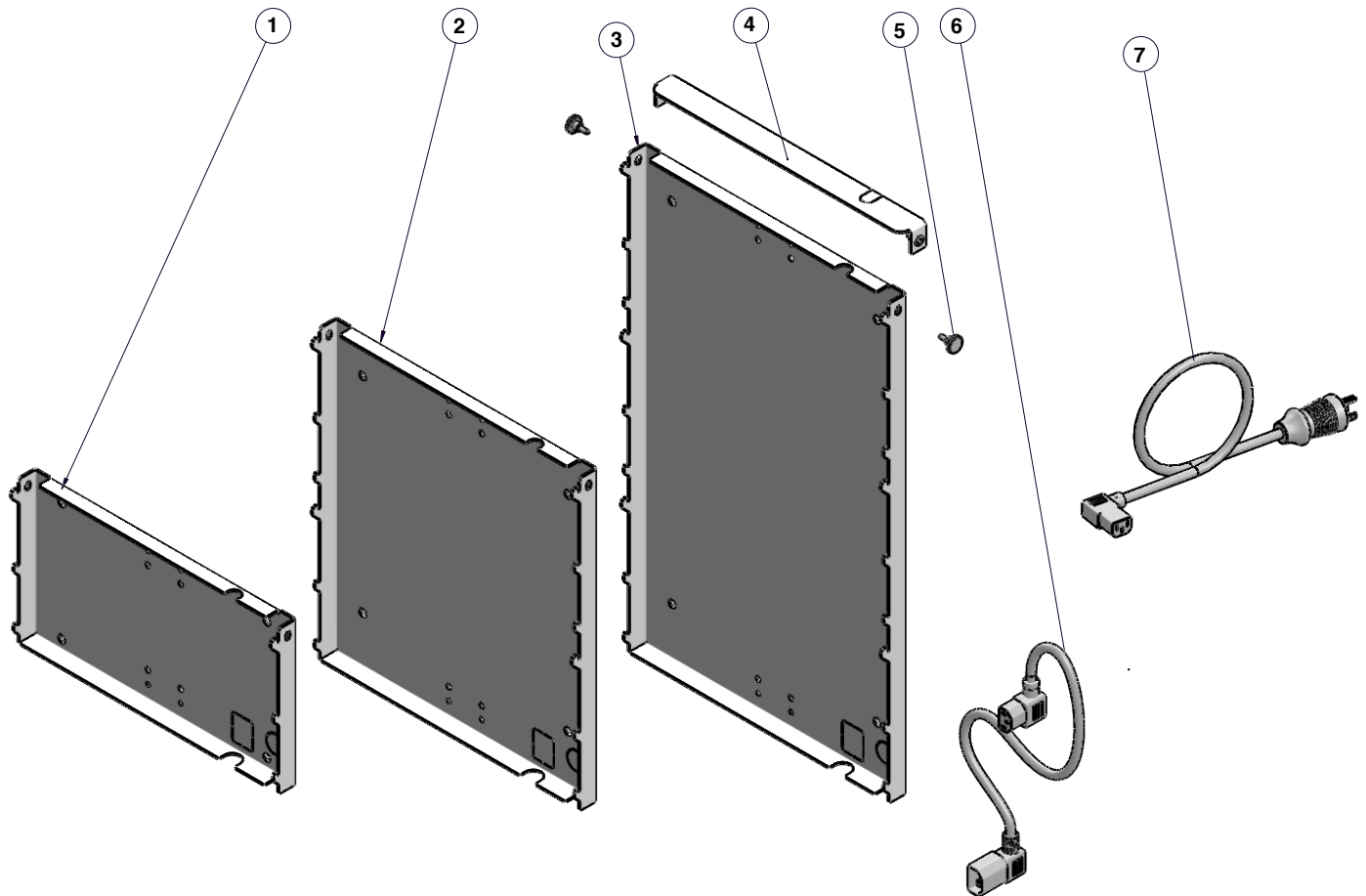
---

ivNow<sup>®</sup>

120V/220V/230V

MN-39855 • Rev 2 • 04/19

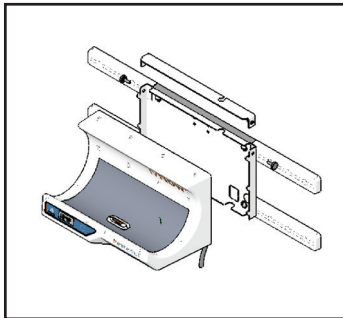
# Parts



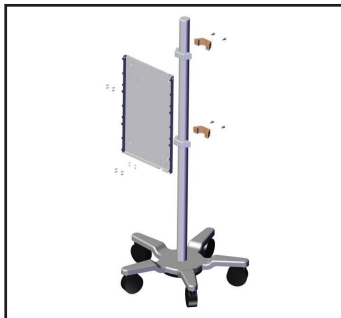
Item	Part	Description	Qty
1	1024480	PANEL, WALL MOUNT, 1-POD	1
2	1024862	PANEL, WALL MOUNT, 2-POD	1
3	1024491	PANEL, WALL MOUNT, 3-POD	1
4	1024492	BRACKET, MOUNTING PANEL TOP	1
5	SC-39434	THUMB SCREW, M5 STAINLESS	2
6	CD-39244	CORD, 18/3 SJT, 10A-250V	1
7	Power Cord	CALL FACTORY SERVICE DEPARTMENT	1

ACCESSORIES	ivNow-1	ivNow-2	ivNow-3
GCX Heavy Duty Roll Stand for Devices & Bracket Kit	mount to GCX equipment stand - stand included 5025582*	mount to GCX equipment stand - stand included 5025582*	mount to GCX equipment stand - stand included 5025582*
Bracket Kit for Stands	mount to light duty equipment stand or mast - stand not included (cord exits bottom of unit) 5025321	mount to heavy duty equipment stand or mast - stand not included (cord exits bottom of unit) 5025323	mount to heavy duty equipment stand or mast - stand not included (cord exits bottom of unit) 5025323
Bracket Kit for Seismic Horizontal Wall Mount OPM-0163-13	two (2) GCX horizontal rails included 5012242*	two (2) GCX horizontal rails included 5012242*	two (2) GCX horizontal rails included 5012242*
Seismic Vertical Wall Channel Mount & Bracket Kit OPM-0162-13	one (1) GCX vertical rail included 5025322*	one (1) GCX vertical rail included 5025322*	one (1) GCX vertical rail included 5025322*

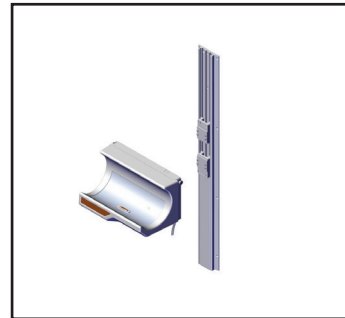
\* See equipment diagram below



Bracket Kit for Seismic Horizontal W  
Mount 5012242  
**OPM-0163-13**



GCX equipment stand and mounting  
5025582

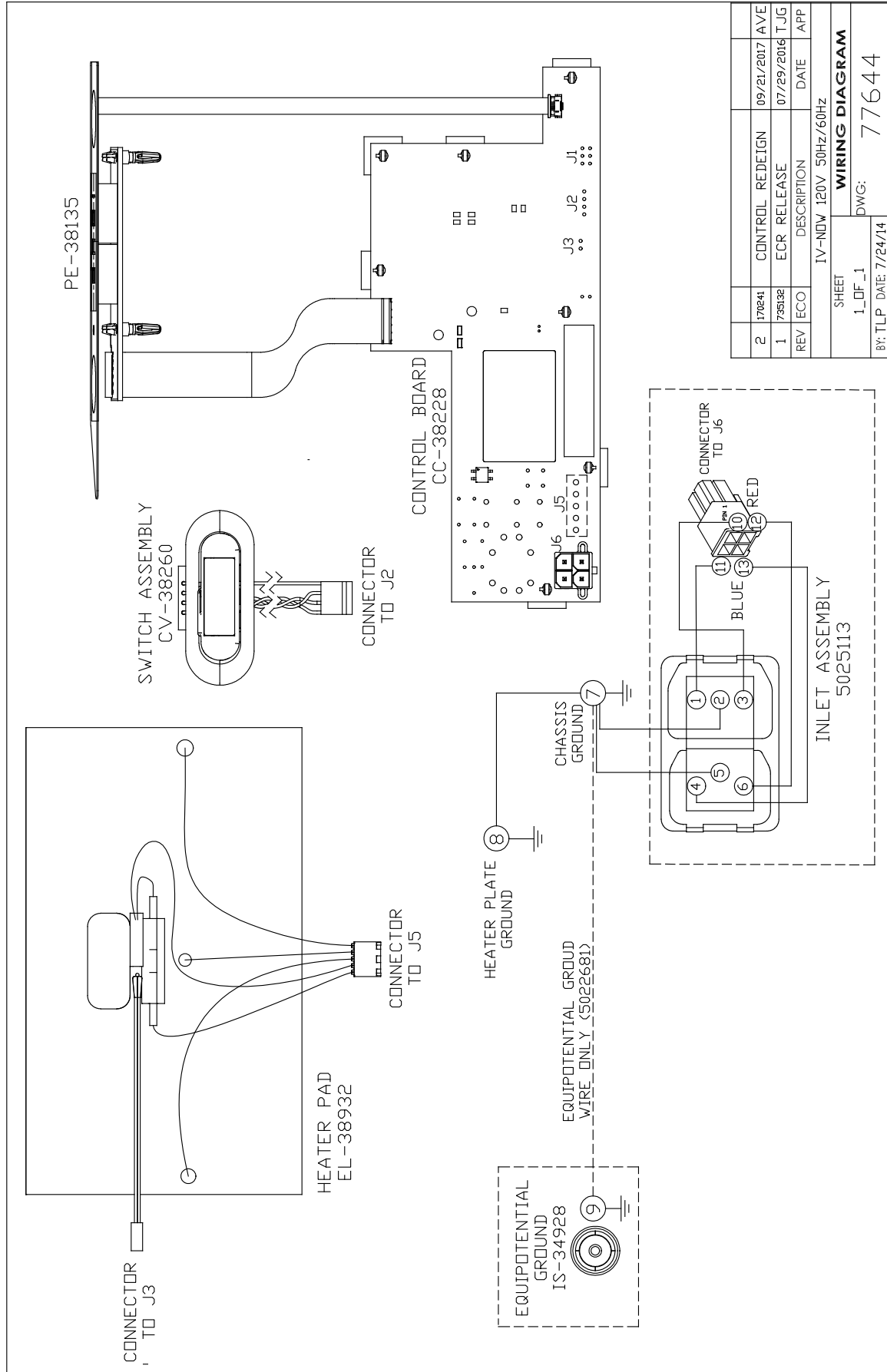


Seismic Vertical Wall Channel  
Mount Bracket Kit 5025322  
**OPM-0163-13**

## Service Kits

Description	Part No.
Control and Bottom Panel	5028573
Housing and Overlay	5028578
Bag Sensor	5028612
Heaterplate	5028617

# Wiring Diagram



2	170641	CONTROL REDEIGN	09/21/2017	AVE
1	795132	ECR RELEASE	07/29/2016	T JG
REV	ECO	DESCRIPTION	DATE	APP
1V-NDW 120V 50Hz/60Hz				
<b>WIRING DIAGRAM</b>				
SHEET		1_DF_1		
BY: TLP		DATE: 7/24/14		
		DWG: 77644		