

ivNext® Fluid Warmer



Enthermics' new **iv Inventory Management System** takes the guesswork out of warming by providing clinicians a simple way to monitor and precisely warm iv bags.

Fluids are safely warmed to recommended temperatures through the WarmSafe™ zone heating system while WarmRight® technology provides the right temperature to meet healthcare guidelines for iv fluids.

Bags are stored in a shelf matrix that allows heat to rise evenly and keeps inventory visible and organized.

WarmSafe Zone Heating: Heat is evenly balanced throughout the chamber to provide safe fluid warming.

Intelligent: The color-coded lighting inside the warmers indicates which bags are ready, still warming or expired.

Service: Our worldwide support team is dedicated to providing quality equipment. We walk with you every step of the way to maximize your return on investment.

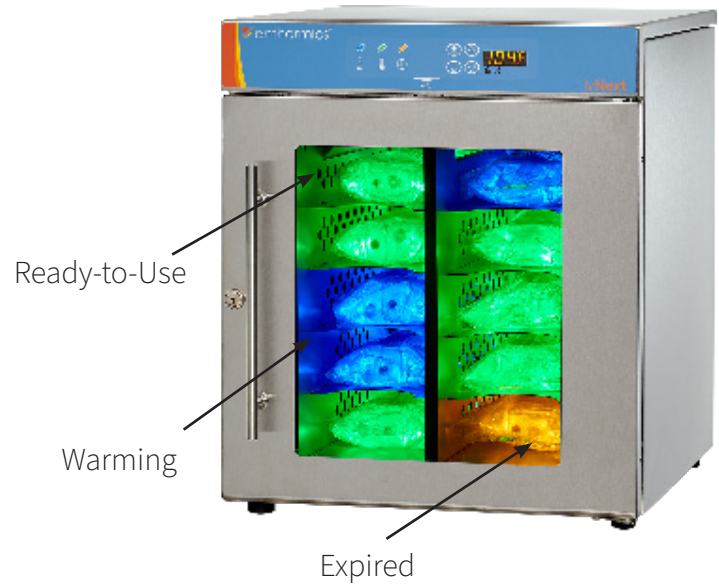
Glass Door: Energy-efficient coated glass door reflects heat back into the cavity.

Mobile: Optional casters

Made in the USA with a commitment to quality

Warranty: 3-year parts/1-year labor (US/Canada only)

An ISO 13485:2016 certified company

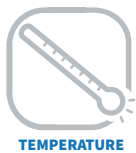


Standard Features

- Windowed door with lock
- 10 shelves
- Epoxy-coated interior surfaces
- Programmable control with temperature lock feature
- Interior lighting
- WarmWatch (Data logger)
- Four (4) non-skid rubber feet



10 2.5 ft³
10 (1) Liter bags



Adjustable temperature range of
32°-40°C (90°-104°F) adjustable injection mode
Accurate temperature
INJ +0/-1.10°C (-2°F)

Configurations (select one)

Door Swing

- Right hinged (standard) Left hinged

Electrical

- 120V 1PH 220V 1PH 230V 1PH

Accessories (select all that apply)

Bumper and Caster Assembly 3" (76mm) casters, 2 rigid; 2 swivel with brake; overall height increases by 5" (127mm)

- 5017548

Caster Package with Plate 3" (76mm) casters, 2 rigid; 2 with brake; overall height increases by 5" (127mm)

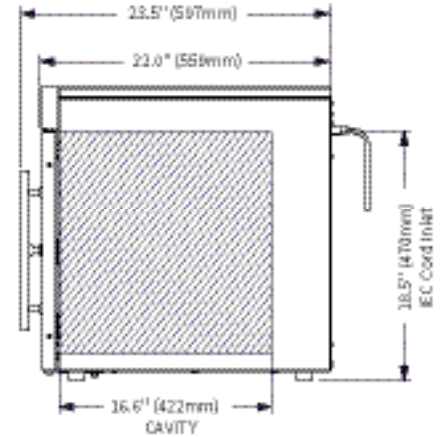
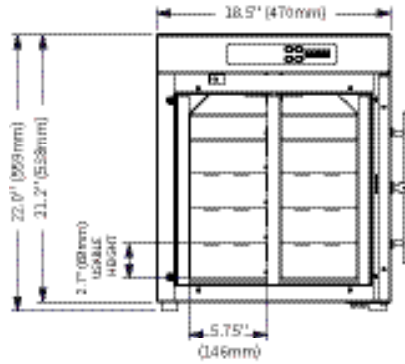
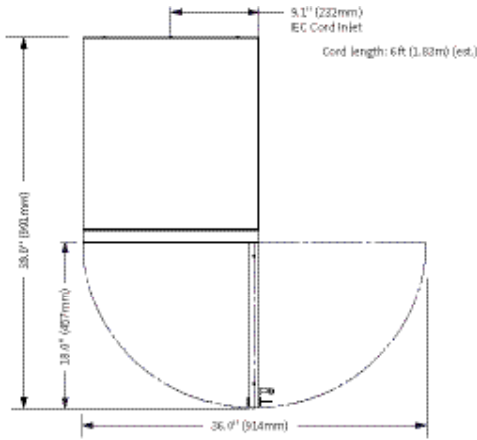
- 5017544

Anchorage (4 required)

- Anti-tip bracket (1014403)

ivNEXT Fluid Warmer

Specification



Top: 1"
Sides: 1"
Bottom: 3/4"
Back: 3"

CLEARANCE



Model	Exterior (H x W x D)	Interior (H x W x D)	Net Weight
ivNext	22" (559mm) x 18.5" (470mm) x 23.5" (597mm)	15.25" (387mm) x 15.5" (394mm) x 16.6" (422mm)	67 lbs (30 kg)

	Ship Dimensions (L x W x H)*	Ship Weight*
ivNext	35" x 23" x 30"	116 lbs

*Domestic ground shipping information. Contact factory for export weight and dimensions.



	V	Ph	Hz	A	kW	Plug Configuration
ivNext	120	1	60	3.7	0.44	NEMA 5-15P; 15A 125V Plug; Hospital Grade
	220	1	50/60	2.0	0.44	CEE 7/7 220-230V Plug
	230	1	50/60	1.9	0.44	BS 1363 Plug; CEE 7/7 220-230V Plug

*Other international plugs are available, contact the manufacturer for more information.

**Electrical connections must meet all applicable federal, state and local codes.



IPX-0

CONTACT US

4000 S.E. Columbia Way | Vancouver, Washington 98661 | U.S.A.
 Phone: 800-822-3501 | enthermics.com